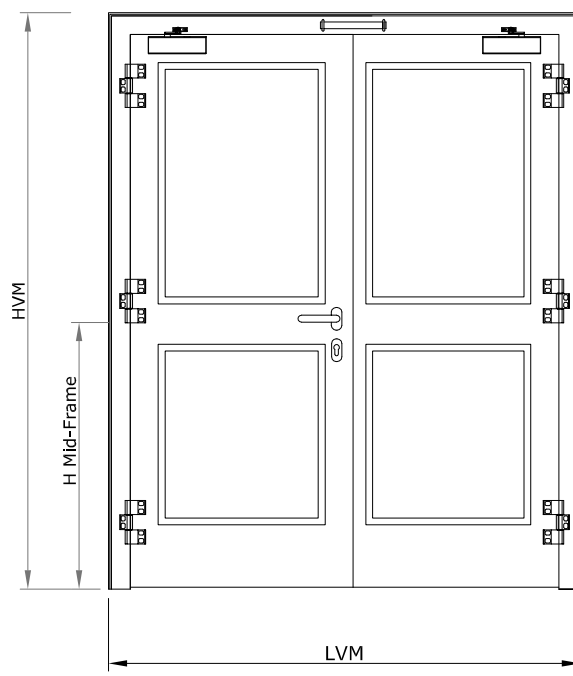
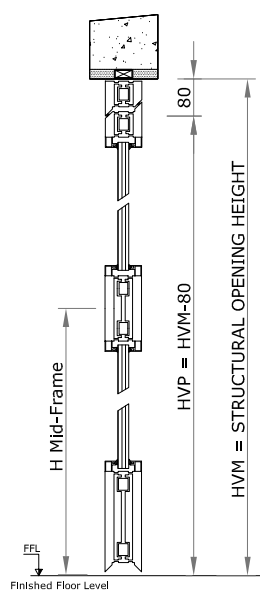
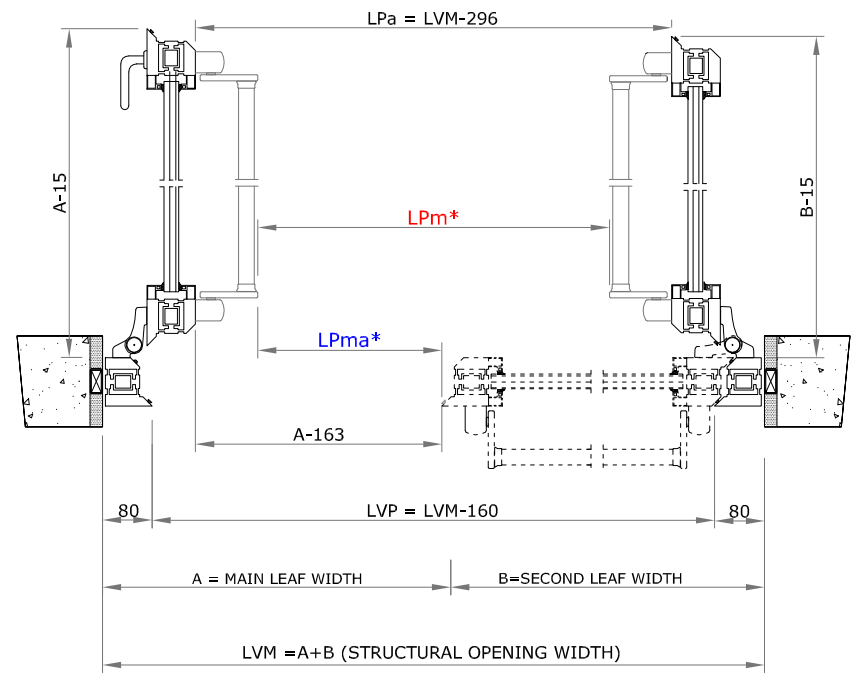


Horizontal Sec.

Vertical Sec.

Pull side view



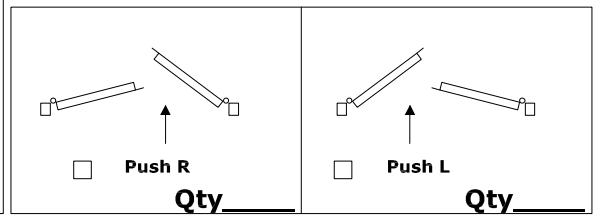
ACCESSORIES

- " V " arm door closer
- Slide arm door closer
A>1000 mm B>1000 mm
- Door closer with integrated mechanical door coordinator
- Door selector
- Couple of handle on round rose and lock profile
- Standard Lever Panic Bar
- Standard Lever Panic Bar on secondary leaf
- Push-bar
- Push-bar on secondary leaf
- Electrical handle
- RAL

LVM= Structural opening width
 HVM=Structural opening height
 LVP = Frame Passage Width
 HVP = Frame Passage Height
 LPa = Leaf Passage width

LPm* = Panic bar passage width
 LPma* = Panic bar leaf passage width

- LPma* Standard Lever = A-263 () mm.
- LPma* Push-Bar= A-226.....() mm.
- LPm* Standard Lever = LVM-496() mm.
- LPm* Push-Bar = LVM-426 () mm.



- EI 30 glass (internal use)
- EI 60 glass (internal use)

H Mid-Frame = _____ mm.

Dimensions mm.

LVM _____ x HVM _____

LVM = A+B

A=B = _____

In case of fanlight please specify the full height passage (HPT)

HPT = _____



Fael Security Srl
 Via E. Majorana
 72100 Brindisi - ITALIA
 Tel. 0831-546563 Fax 0831-546674
 E-mail: fael@fael.com
 Web: http://www.fael.com

VITRALIGHT
 EI 30/60 ALUMINIUM OPENABLE
 GLAZED FIREDOOR
 BURGLAR-PROOF RC3
 SYMMETRICS TWO LEAVES

Client: _____
 Order n° _____ date _____
 Ref. : _____

Stamp and Signature

Date: _____