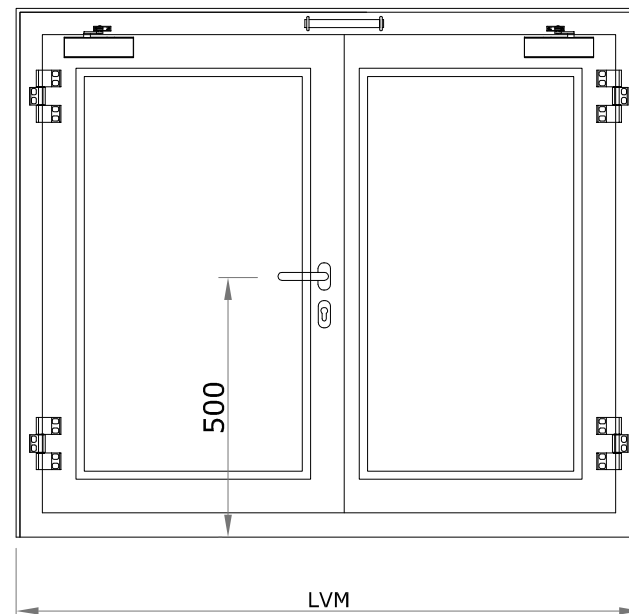
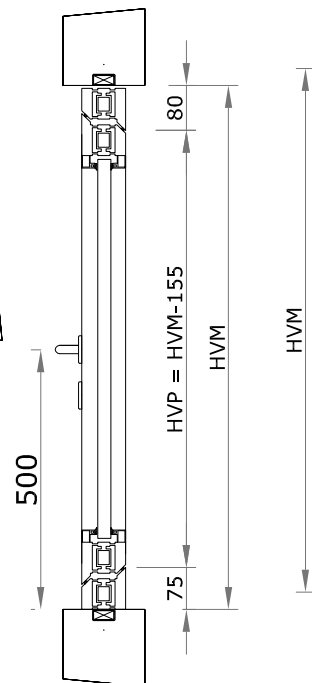
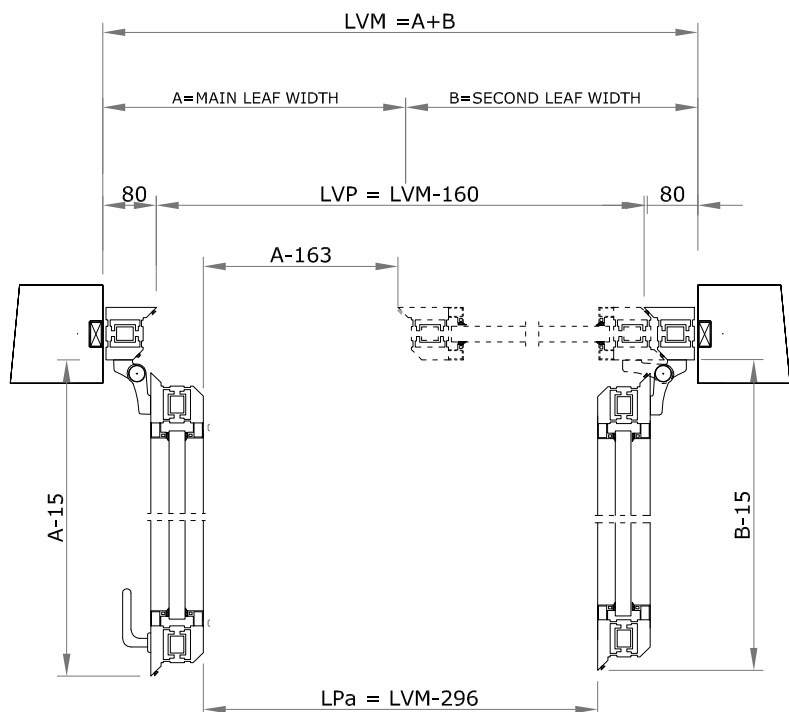


Horizontal Sec.

Vertical Sec.

Pull Side View



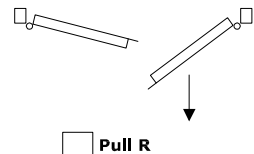
ACCESSORIES

- "V" arm door closer
- Slide arm door closer
- 1/2 Inox handle on rosette and escutcheon (pull side)
- 1/2 cylinder (Pull side)
- Closing leaves selector
- RAL

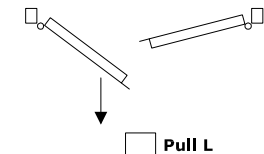
Notes:

LVM = Structural opening Width
 HVM = Structural opening Height
 LPT = Frame Passage Width
 HPT = Frame Passage Height
 LPa = Leaf Passage Width

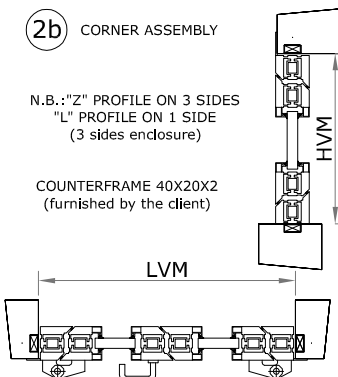
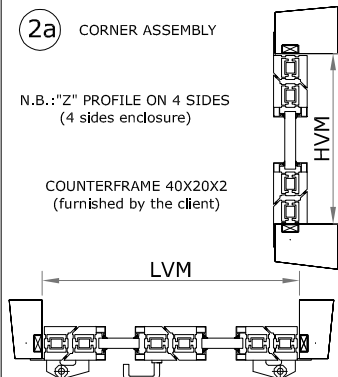
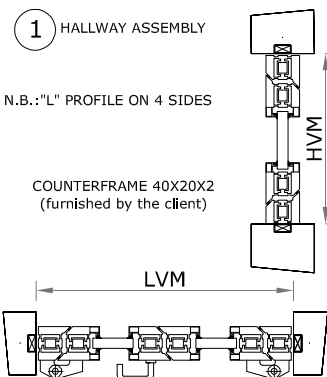
Qty. ____



Qty. ____



ASSEMBLY TYPE



Dimensions in mm.

LVM _____ x HVM _____

LVM= A+B

A= _____ B= _____

EI 30 glass (external use)

EI 60 glass (external use)



VITRALIGHT
FIRE RESISTANT GLAZED WINDOW
EI 30/60 ALUMINIUM PROFILE
(Two Leaves)
EXTERNAL USE

Client: _____

Order n° _____ date _____

Ref. : _____

Stamp and Signature

Date: